



SD08003-1

Atril RURAL

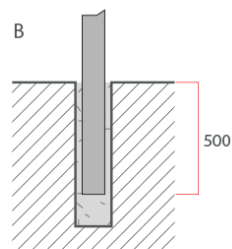
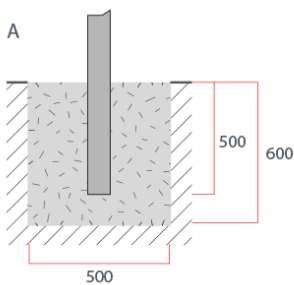


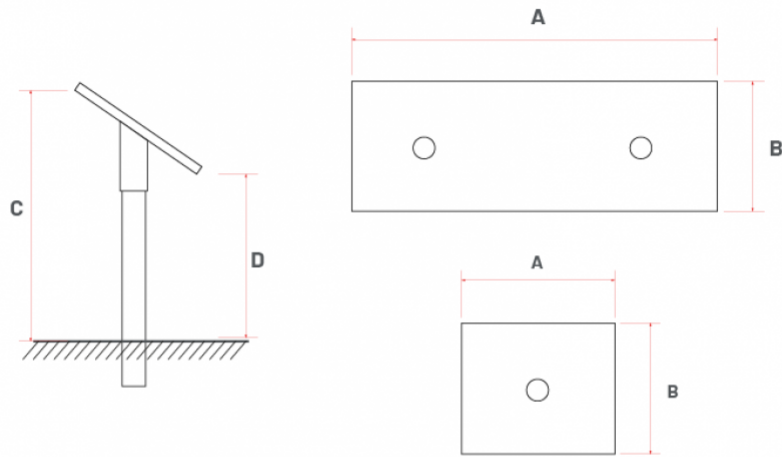
2mm thick steel sheet module, Once machined and painted with polyester paint cured at 180C. Upper module for the graphic, made of 3 mm aluminum.

PRINTING: Digital printing, UV protection and anti-graffiti treatment.

SUPPORTS: Autoclave-treated wooden supports, Ø100 mm x 1500 mm.

FINISH COLOR: Natural (other colors available upon request).





REFERENCIA	Modelo	A	B	C	D	Área impresión
D08003/004D/411	rectangular	900	450	1200	820	900x450
D08003/005D/411	cuadrado	450	450	1200	820	450x450
D08001/008D/411	rectangular	1350	450	1200	820	1350x450