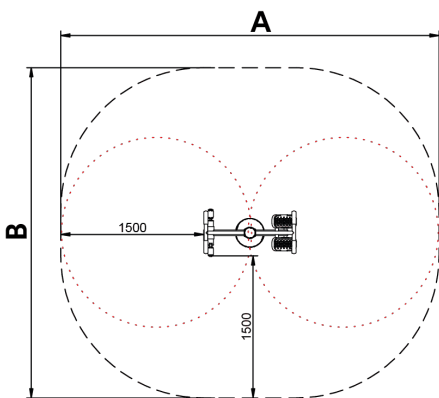


Bicycle AD

JSA018D

14+

Certified
EN16630
product



The **healthy elements manufactured by BENITO** enable people to exercise in both public and private spaces, increasing their well-being and quality of life while boosting health and social relations.

- **Health functions:** improving cardiovascular and respiratory functions, strengthening muscles and enhancing agility, flexibility and coordination of movements.

- **Social functions:** creating leisure activities, promoting social integration and a more intensive recreational use of public spaces.

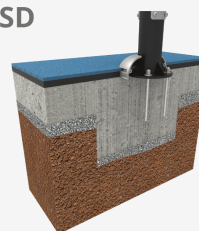
A x B



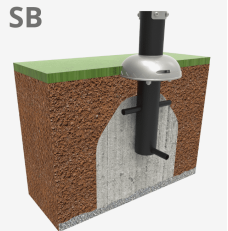
A=3980mm 11.90m² -m 2

B=3478mm

SD



SB



Materials:

Benefits: strengthen leg, pectoral, dorsal and hamstring muscles, allowing a complete movement of all limbs. Improve cardiopulmonary capacity.

Use instructions:

1. Stand in front of the equipment and grasp the handle with both hands. Place your feet on the platform and push slowly, trying to stand up slowly.
2. Stand in front of the equipment, grasp the handle with both hands and push the pedals forward.

Structure, Metal: S235 galvanised and powder-coated steel tube. $\varnothing 114\text{mm} \times 3\text{mm}$ thick. Moving parts: $\varnothing 60\text{mm} / \varnothing 48\text{mm} \times 2\text{mm}$ thick. Connecting tubes: $\varnothing 38\text{mm} / \varnothing 32\text{mm} \times 2\text{mm}$ thick. Paint: 1 coat of powder paint consisting of a mixture of polyester resins, hardeners and pigments, free of lead and with high resistance to bad weather conditions. Colour combination: matte black and metallic grey RAL 9006.

Fixings: AISI 304 stainless steel screws.

Handles: thermoplastic rubber.

Seats / Covers: 6-10mm thick rotomoulded HDPE.

Pedals / Plugs: PP

- None of the materials requires a specific treatment for its disposal.
- If the product is subject to severe use, maintenance should be increased.
- Don't use the product before the installation/maintenance is ready.
- Please check the maintenance instructions.

Biggest part (mm): 970x500x1280 / Heaviest part (kg): 43.5

IMPACT ZONE: security area and ground coverings according to the EN1176-1:2017 standard.

Spare parts availability: 10 years.

Ground anchoring screws not included.

Playful features:



Alternatives:



JSA019D



JSA003D



JSA009D



JSA005D

