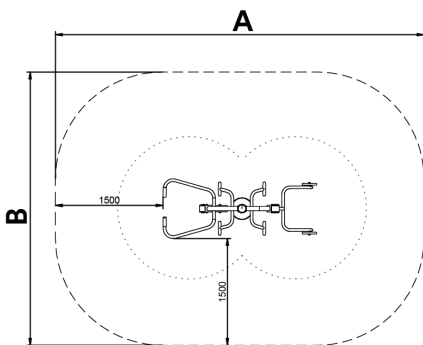


Chest AD

JSA003D

14+

Certified
EN16630
product



The **healthy elements manufactured by BENITO** enable people to exercise in both public and private spaces, increasing their well-being and quality of life while boosting health and social relations.

- **Health functions:** improving cardiovascular and respiratory functions, strengthening muscles and enhancing agility, flexibility and coordination of movements.

- **Social functions:** creating leisure activities, promoting social integration and a more intensive recreational use of public spaces.

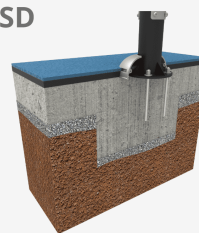
A x B



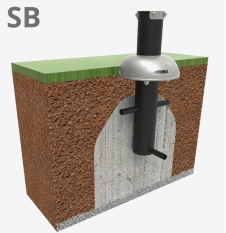
A=5170mm 17.90m² -m 2

B=3840mm

SD



SB



Materials:

Benefits: strengthen and develop upper limbs, pectoral, deltoid and bicep muscles.

Use instructions:

1. Sit backwards with the chair against the lower stoppers. Grasp the handles with both hands, slowly pushing them and getting back to the initial position with a slow movement of resistance.
2. Sit backwards with the chair against the lower stoppers. Grasp the handles with both hand with both hands, slowly pulling them and getting back to the initial position.

Structure, Metal: S235 galvanised and powder-coated steel tube. $\varnothing 114\text{mm} \times 3\text{mm}$ thick. Moving parts: $\varnothing 60\text{mm} / \varnothing 48\text{mm} \times 2\text{mm}$ thick. Connecting tubes: $\varnothing 38\text{mm} / \varnothing 32\text{mm} \times 2\text{mm}$ thick. Paint: 1 coat of powder paint consisting of a mixture of polyester resins, hardeners and pigments, free of lead and with high resistance to bad weather conditions. Colour combination: matte black and metallic grey RAL 9006.

Fixings: AISI 304 stainless steel screws.

Handles: thermoplastic rubber.

Seats / Covers: 6-10mm thick rotomoulded HDPE.

Pedals / Plugs: PP

- None of the materials requires a specific treatment for its disposal.
- If the product is subject to severe use, maintenance should be increased.
- Don't use the product before the installation/maintenance is ready.
- Please check the maintenance instructions.

Biggest part (mm): 2150x840x1980 / Heaviest part (kg): 60.5

IMPACT ZONE: security area and ground coverings according to the EN1176-1:2017 standard.

Spare parts availability: 10 years.

Ground anchoring screws not included.

Playful features:



Alternatives:



JSA019D



JSA018D



JSA009D



JSA005D