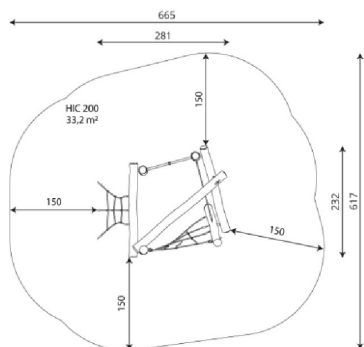


Climbing Set Roy 14

JROY14

Certified
EN1176
product



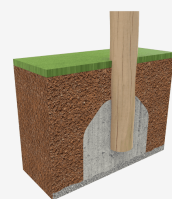
The ROY collection is the perfect solution for those who think that pedagogy goes beyond play, who want their children to learn the importance of nature and that imperfection is often related to authenticity, but also who **wish to add an artisanal touch to their projects.**

A x B



A=6650mm 33.20m² 2m 11
B=6170mm

SB



Materials:

Posts, Robinia wood: round posts made of Robinia wood. Robinia is characterised by its resistance and durability. Its trunks are formed entirely by heartwood, the hardest part of the trees. It is a living material, it is therefore possible that small cracks appear. However, they do not affect the durability that can reach 20 years.

Nets, Anti-vandal reinforced rope: Ø 16mm, 6 twisted steel cables, covered in polypropylene. High durability plastic connectors.

Metallic parts: AISI-304 stainless steel.

Fixings: electro galvanised and stainless steel quality 8.8 DIN267, AISI-304.

- None of the materials requires a specific treatment for its disposal.
- If the product is subject to severe use, maintenance should be increased.
- Don't use the product before the installation/maintenance is ready.
- Please check the maintenance instructions.

Biggest part (mm): 2800x180x180 / Heaviest part (kg): 65

IMPACT ZONE: security area and ground coverings according to the EN1176-1:2017 standard.

Spare parts availability: 10 years.

Ground anchoring screws not included.

Playful features:

