

Spring Swing Vaca

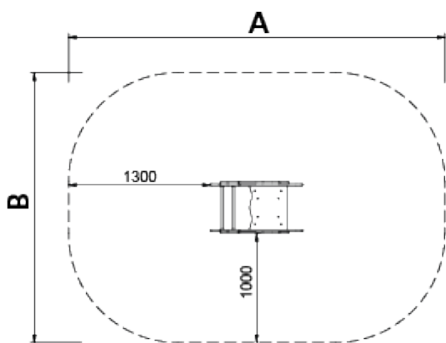
JFS12

1+

Certified
EN1176
product



Fun and educative spring swing for children. Made of resistant materials according to the EN1176 standard.

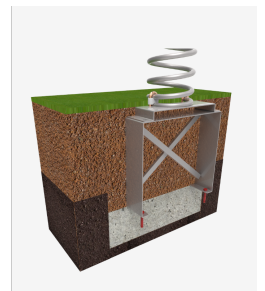
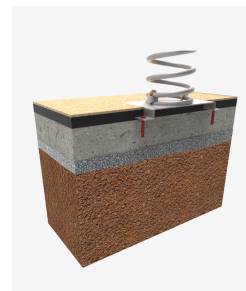


A x B



A=3410mm 7.6m² 0.6m 1

B=2490mm



Materials:

Panels, HDPE: high-density polyethylene characterised by its resistance to chemical abrasives. As a polymer, it is unaffected by corrosion. Due to its light elastic nature, it offers high resistance to impact, making it very difficult to break.

Metallic parts: AISI-304 stainless steel, hot-dip galvanised steel and aluminium. Galvanised and powder coated steel resistant to abrasion, corrosion, chemical agents, stains and bad weather conditions.

Fixings: electro galvanised and stainless steel quality 8.8 DIN267, AISI-304.

- None of the materials requires a specific treatment for its disposal.
- If the product is subject to severe use, maintenance should be increased.
- Don't use the product before the installation/maintenance is ready.
- Please check the maintenance instructions.

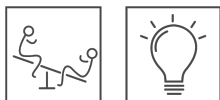
Biggest part (mm): 497x250x220 / Heaviest part (kg): 16

IMPACT ZONE: security area and ground coverings according to the EN1176-1:2017 standard.

Spare parts availability: 10 years.

Ground anchoring screws not included.

Playful features:



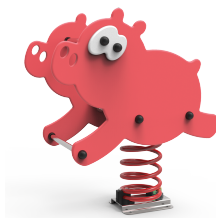
Alternatives:



JFS07



JFS08



JFS13