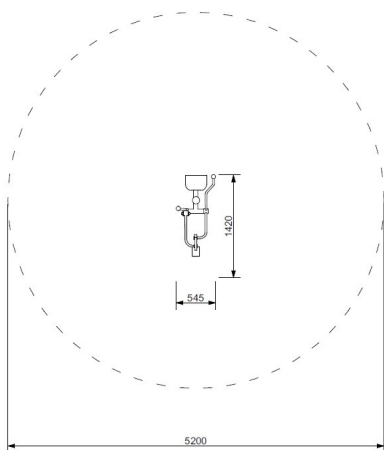
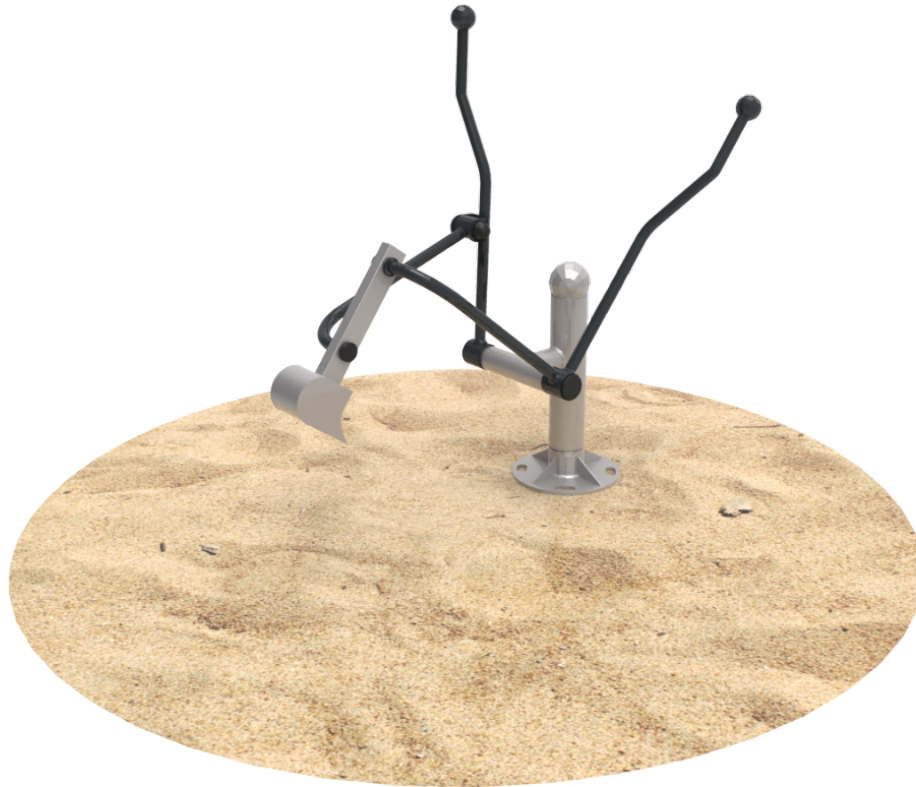


Excavator Juno AD


JAR07

1+

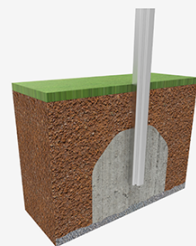
Certified
EN1176
product



Inclusive 360° rotating excavator for sandpit areas and Beaches .

A x B			
A=5200mm	21.20m ²	1m	1
B=5200mm			

SB



Materials:

Structure, Metal: Anchor post made of black S235/S355 steel tube, Ø88.9x3.2mm and Ø60.3x3.2mm, galvanized and polyester powder-coated. Brackets and handles: Galvanized and polyester powder-coated steel tube, Ø26.9x2.9mm. Blade made of AISI 304 stainless steel.

Seat, PU: Flexible polyurethane.

Screws: Screws with JS-500 treatment of more than 8 µ or stainless steel

- None of the materials require special treatment for disposal.
- If the equipment is subject to severe use, the maintenance plan should be increased.
- Do not use the product before completing installation/maintenance.
- See maintenance instructions.

Largest piece (mm): / Heaviest piece (kg):

IMPACT ZONE: Required safety surface. Floor covering in accordance with EN1176-1:2017 is recommended.
Spare parts availability: 10 years

Ground anchoring screws not included.

Playful features:

