

Pole Camprodon

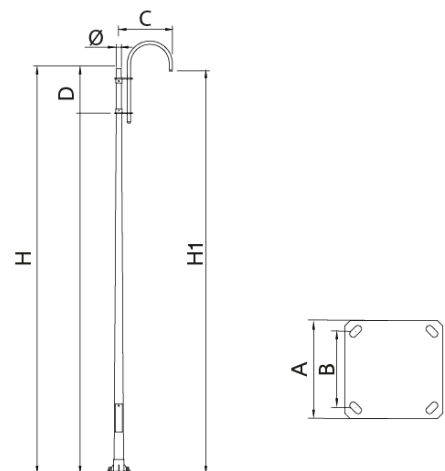
ICCP



Truncated conical Pole with For suspended luminaires, manufactured from hot-dip galvanized S-235 JR steel. Standard finish in micro-textured black. Total Pole height: 5 to 7 meters, with 3 x M10 120° fixings for suspended luminaires. The base incorporates a reinforcing ring and 4 gussets, providing greater rigidity and stability. Pole design with integrated, offering a warm lighting solution and urban.

Optional:

- Anti-urine treatment at the base.
- double at 180°



Ref.	H	H1	C	D	Ø	A	B	
ICCP50N	5000	4970	645	560	60	300	200	M18x500
ICCP60N	6000	5970	645	560	60	300	200	M18x500
ICCP70N	7000	6970	645	560	60	400	300	M18x500



ILCP



ILVS