

# Pole Cilíndrica

ICCL100

AENOR  
EN40

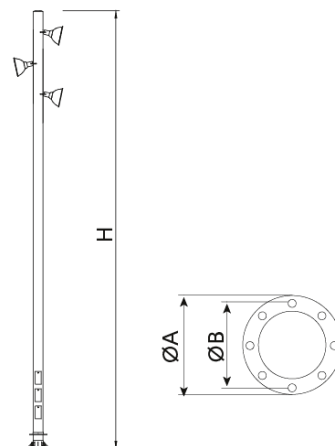


Multiple cylindrical Pole manufactured in hot-dip galvanized S-235 JR steel.

Total Pole height: 10 and 12 meters, with Floodlights mounting via 3 rows with 3 anchor points at 120°. The base incorporates a reinforcing ring and 8 brackets, providing greater rigidity and stability. Robust design allows for the mounting of multiple Floodlights, suitable for large areas or those requiring intensive lighting, such as roundabouts.

Optional:

– Anti-urine treatment at the base.



Ref.	H	Ø	ØA	ØB	
ICCL100	10000	220	550	430	M22x700
ICCL120	11700	220	550	430	M22x700



ILDH2