

ICCL+APM

Pole

TEKNO



Pole made of S-235-JR hot-dip galvanised steel available in two formats: *Height up to 8 m for TOP mounting of the luminaire with Ø60 mm; *10 and 12 m cylindrical ones are only and exclusively designed for the installation of circular floodlights with outer equipment (can be housed in the 3 service doors available)

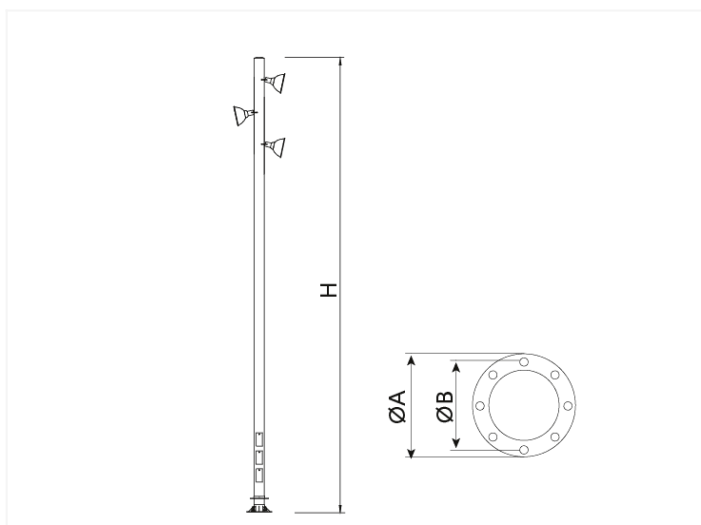
MAIN FEATURES:

APPLICATIONS:

SPECIFICATIONS :

Housing material:	
Diffuser (optic system enclosure):	
Fixing elements:	
Housing:	
Sealing gaskets:	
IP rating (luminaire):	
IP rating (optic system):	
IK rating (impact resistance):	
LEDs thermal dissipation:	
Anti-condensation valve:	
Paint and finishes:	
Colour:	
Mounting:	
Tilt range:	
Maintenance:	
Recommended mounting height:	
Driver:	
Flow Reduction:	
Ready4IOT - Connectivity:	
Surge protection device (SPD):	
DarkSky Approved	

DRAWING:



TECHNICAL DATA:

REF.

Nº LEDs

Power W

I Driver
mA

Real luminous flux (T) =85°C

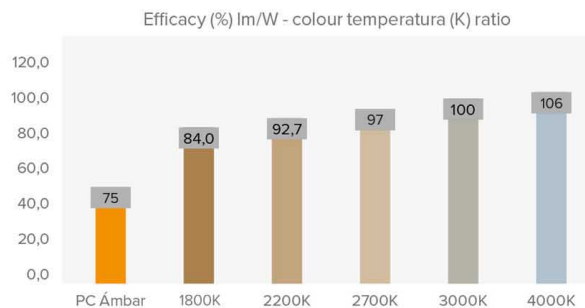
Flux lm

Efficacy lm/W

Initial luminous flux (T)
=25°C

Flux lm

Efficacy lm/W



PHOTOMETRY:

LEDs MODULE:

LEDs module:

Replaceable module:

LED:

Number of LEDs:

PCBs format:

LED nominal efficacy:

Colour temperature:

Colour rendering index CRI:

Average LED useful time L90B10:

OPTIC SPECIFICATIONS:

Optic system:

Light distributions:

Upward light output ratio ULOR:

Downward light output ratio DLOR:

Glare index:

Luminous intensity category:

Luminous flux CIE n°3:

Photobiological safety:

Initial luminous flux $T_j=25^\circ\text{C}$ (up to):

Initial luminaire efficacy $T_j=25^\circ\text{C}$ (up to):

Real luminous flux $T_j=85^\circ\text{C}$ (UNE EN 13032-4)
(up to):

Real luminaire efficacy $T_j=85^\circ\text{C}$ (UNE EN
13032-4) (up to):

ELECTRIC SPECIFICATIONS:

Nominal maximum power (LEDs):

Maximum power consumed (luminaire):

Power range:

Maximum current of LED:

Power supply protection classes IEC:

Surge protection device (SPD):

Common and differential mode protection (SPD)
Udc:

Max current (8/20) (SPD):

Thermal phase disconnection (SPD):

Input voltage:

Input voltage (max rate):

Input frequency:

Starting current:

Duration of the starting voltage peak:

Driver efficacy:

Power factor 100% consumption:

Power factor 50% consumption:

Total harmonic distortion (THD):

Power consumption on standby mode:

Energy class:

OPERATING CONDITIONS:

Average LED useful time L90B10:

Average driver useful life to $T_p < 70^\circ\text{C}$:

Average luminaire useful life L90B10 (TM-21):

Ambient temperature (T_a):

Aerodynamic resistance ($C_x S$):

Vibration test (15Hz 3 axis):

Guarantee:

PACKAGING DIMENSIONS:

Net weight

Gross weight

Luminaire dimensions (LxWxH)

Packaging dimensions (LxWxH)

Pieces per box

Quantity per container 20ft

Quantity per container 40ft

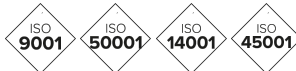
CERTIFICATES:

Security certificates:

EMC certificates:

Other certifications:

Company Certifications



BENITO

info@benito.com
tel. 93 852 1000